

## PROPERTIES

**COLOR:**

Gray

**FORM:**

Malleable Extruded Butyl Tape

**Standard Size::**

3/16" T x 5/8" W x 25 ft L Rolls (4.7 mm x 16 mm x 7.6 m)

Other sizes available on special order

**SOLIDS CONTENT / SHRINKAGE (ASTM C771):**

>99% / No shrinkage

**VOC CONTENT (ASTM D6886):**

0%

**SOFTNESS (ASTM C782)**

9.7 mm penetration

**LOW TEMPERATURE FLEXIBILITY (ASTM C765):**

Flexible at -20°F (-29°C)

**OIL MIGRATION (ASTM C772):**

Slight wetting on top sheet. No bleed

**YIELD STRENGTH (ASTM C908)**

8 psi

**TENSILE ADHESIVE STRENGTH (ASTM C907)**

34.0 lbf MOF: Cohesive

**SERVICE TEMPERATURE LIMITS:**

-10°F to 212°F (-23°C to 100°C)

**LIMITATIONS**

Store between 20°F – 90°F (-7°C – 32°C).

Shelf life: 24 months minimum

Do not apply to damp, frosty or contaminated surfaces.

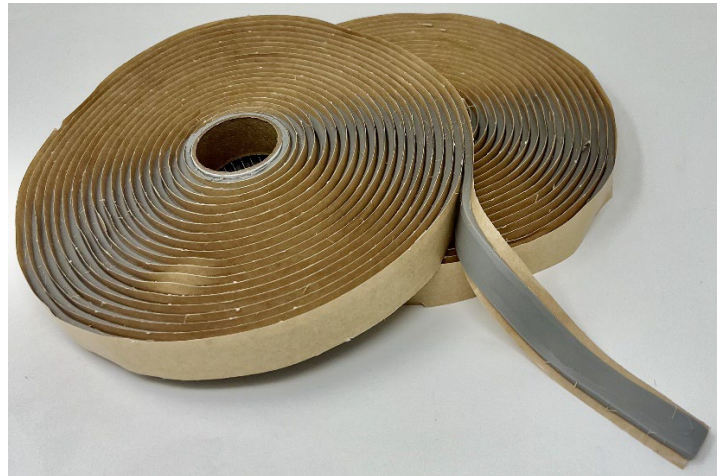
Confirm adhesion with intended substrates prior to application

Not for structural bonding. Requires mechanical fastening or stabilized joints to prevent substrate movement.

™ Trademark of H.B. Fuller Construction Products Inc.

Visit us on the web at [fosterproducts.com](http://fosterproducts.com)

## HVAC Flange Tape



Foster® 14-40 HVAC Flange Tape is an extruded, pre-formed, double sided butyl tape furnished in rolls between silicone release liner. It is a non-hardening, solvent free, 100% solids sealant for sealing bolted flange joints in HVAC duct work. It bonds well to galvanized, aluminum, stainless steel and other metals forming an air tight gasket.

14-40 HVAC Flange Tape tears easily for fast, neat and easy application.

14-40 HVAC Flange Tape may also be used where a non-shrinking butyl sealant is necessary for building and construction purposes.

14-40 HVAC Flange Tape contains no added VOCs and meets LEED requirements for duct sealing applications. It meets FDA and USDA requirements for non-food contact or non-incident food contact surfaces.

14-40 HVAC Flange Tape is produced under the classification and follow-up service of Underwriter's Laboratories, Inc. and meets NFPA 90A and 90B 25/50 requirements

**SURFACE BURNING CHARACTERISTICS (ASTM E84 / UL723):**

Flame Spread: 0

Smoke Developed: 0

Tested as applied in two 5/8 in. wide strips spaced 8 in. on center covering 7 percent of the exposed test sample area.



H.B. Fuller Construction Products Inc.

1105 South Frontenac St o Aurora, IL 60504 o 800-832-9002 o fax 800-952-2368

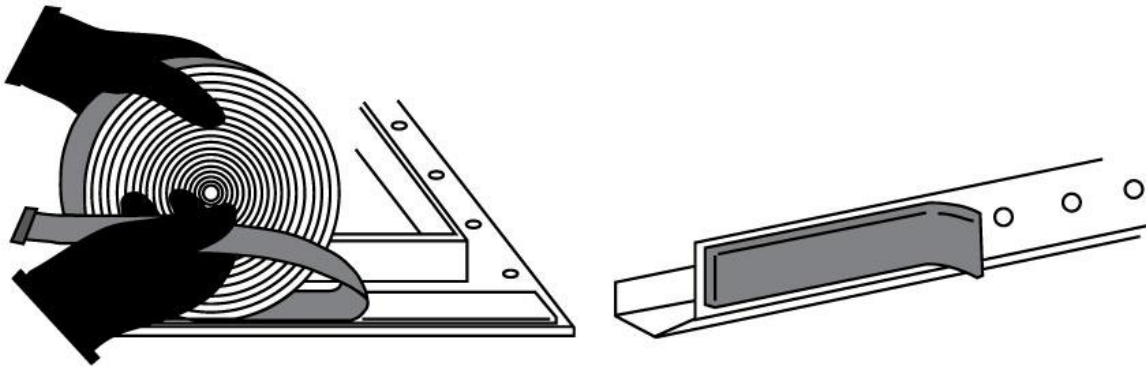
# APPLICATION GUIDE FOR FOSTER® 14-40 HVAC FLANGE TAPE

## PREPARATION


Apply only to clean, dry, oil-free surfaces. Surfaces must be free of frost and water. Dirt, dust and loose insulation must be removed prior to application

## APPLICATION

Apply directly from roll or cut to size with knife or scissors. Press 14-40 tape firmly into place with hand. Intimate contact must be made between tape and subsurface to assure an air tight seal. Gently peel off silicone release paper. When lapping tape, allow at least 1/4" (6.4 mm) overlap. Tight flange bolts evenly around flange.



**WORKING CONDITIONS:** Apply in normal dry working conditions.

	CAULKING AND SEALANTS	
	Surface Burning Characteristics R27157	
Applied to Inorganic Reinforced Cement Board		
Flame Spread:		0
Smoke Developed:		0
Tested as applied in two 5/8 in. wide strips spaced 8 in. on center covering 7 percent of the exposed test sample area.		
4KK0		

## CUSTOMER SERVICE: (800) 832-9002

**IMPORTANT:** H.B. Fuller Construction Products Inc. warrants that each of its products will be manufactured in accordance with the specifications in effect on the date of manufacture. WE MAKE NO OTHER WARRANTIES AND EXPRESSLY DISCLAIM ANY WARRANTIES OF MERCHANTABILITY OR FITNESS FOR A PARTICULAR PURPOSE. If a product fails to meet this limited warranty, purchaser's sole and exclusive remedy is replacement of the product or, at our option, refund of the purchase price. OUR ACCEPTANCE OF ANY ORDERS FOR THE PRODUCT IS EXPRESSLY CONDITIONAL UPON PURCHASER'S ASSENT TO THE TERMS ON THE APPLICABLE INVOICE.

**ADEQUATE TESTS:** The information contained herein we believe is correct to the best of our knowledge and tests. The recommendations and suggestions herein are made without guarantee or representation as to results. We recommend that adequate tests be performed by you to determine if this product meets all of your requirements. The warranted shelf life of our products is twelve months from date of shipment to the original purchaser or as otherwise provided on the certificate of analysis.

**For professional use only.**